

**ADEMCO**

**No. 4146**  
**KEYSWITCH**  
 (with 2 LEDs)

## INSTALLATION INSTRUCTIONS

### GENERAL INFORMATION

The No. 4146 Keyswitch includes an N.O. (normally open) momentary contact (spring loaded) lockswitch with high security (round) keys. It may be used to remotely arm and disarm burglary protection and/or to silence burglary and fire alarms when connected to a control panel that has provision for a keyswitch input. Also included are 2 indicator LEDs (1 red and 1 green) for annunciating the status of a control panel that has provision for operating them.

The 4146 is designed to meet the following UL standards: UL609 Commercial Burglary, UL864 Commercial Fire, UL985 Household Fire, and UL 1023 Household Burglary.

The Ademco Nos. 4140XMP, 4140XMPT, and 5140XM Control/Communicators are examples of control panels with which the 4146 can be used.

The 4146 consists of an inner switch plate to which the lock switch and indicator LEDs are attached, and a decorative "silver" outer cover plate. The plates are designed to mount on a standard single-gang electrical box. A tamper switch also comes attached to the inner switch plate and can be used to detect the removal of the outer cover plate.

### WIRING AND INSTALLATION

The 4146 provides flying leads for making connections to its lock switch, tamper switch, and indicator LEDs. The diagram below shows the color coding of these wires.

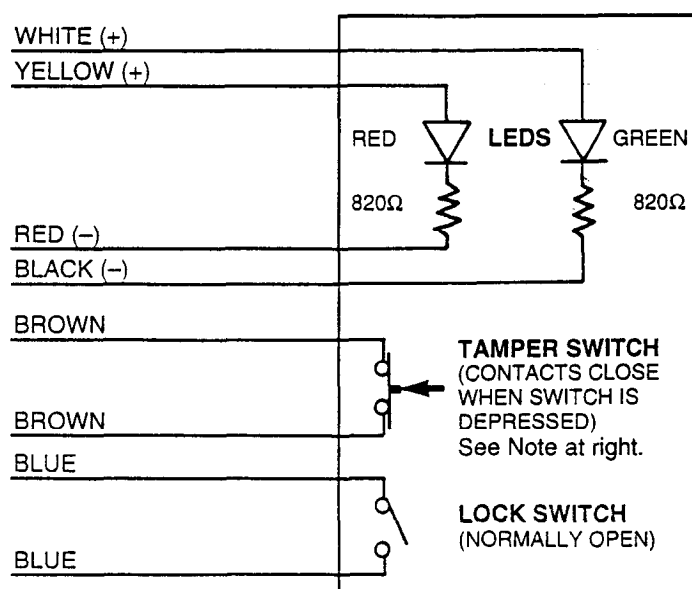
**Notes:** For UL Commercial Burglary installations, the 4146 must be located within the protected area.

For UL Commercial Fire installations, unless otherwise noted in the control panel instructions, the 4146 must be mounted next to a console (so that when the 4146 is used to silence a fire alarm, the console will provide the UL-required "fire bell silenced" indication).

1. Run wires from the control panel to a single-gang electrical box and make appropriate connections (follow the instructions accompanying the control). Use solderless connectors or wire nuts to connect the wires.

**Note:** A No. 4142TR Trigger Cable is provided, for making connections to the ARMED and READY LED header outputs on the 4140XMP, 4140XMPT, AND 5140XM Control/Communicators.

2. Mount the 4146's inner switch plate to the electrical box, using the 1" long self-tapping screws provided.
3. Mount the outer cover plate to the inner plate, using the 3/8" long machine screws provided. The outer cover must rest snugly against the inner plate to insure that the inner plate's tamper switch is fully depressed.
4. a. Apply the UL "TEST WEEKLY" label to the front of the outer cover.  
 b. Also apply the UL "FIRE ALARM SILENCE" label to the front of the outer cover, if the 4146 will be used to silence fire alarms in a commercial fire installation. Align its holes with the LED holes on the outer cover.



**Note:** WHEN USED IN COMMERCIAL BURGLARY INSTALLATIONS, CONNECT TAMPER SWITCH INTO EOLR SUPERVISED ZONE PROGRAMMED FOR BURGLARY RESPONSE (i.e., TROUBLE BY DAY, ALARM BY NIGHT).

**4146 KEYSWITCH (Rear View)**  
**FLYING LEAD COLOR CODE DIAGRAM**

## OPERATION

When the 4146's lock switch is in its normal (not activated) position, its contacts are open. When the switch is activated, by turning and holding the switch key, its contacts close.

When the 4146's tamper switch is in its normal (fully depressed) position, its contacts are closed. When the tamper switch is fully extended, as occurs when the outer cover is removed, its contacts open.

The 4146's LEDs light when a voltage of 4.5–14VDC (with proper polarity) is applied.

Refer to the control panel's instructions to determine what actions the panel can perform when the lock switch is activated and to determine what status conditions the indicator LEDs can be used to annunciate.

*For example:* When used with the Ademco 4140XMP Control/Communicator, the lock switch can be used to remotely arm the burglary protection in AWAY or STAY modes, to disarm the burglary protection, and to silence alarms. The indicator LEDs can be used to annunciate READY TO ARM, ARMED, and ALARM MEMORY status.

## SPECIFICATIONS

**Physical:** 2-3/4" W x 4-1/2" H (70mm x 114mm)

**Electrical:** Lock Switch: Spring Loaded (Momentary Contact), normally open contacts, 2 round keys.  
Contact Rating: 7A max at 28VDC/AC (120VAC for non-UL installations).

Tamper Switch: Spring Loaded, closed contacts when fully depressed.  
Contact Rating: 50mA max at 28VDC.

Indicator LEDs: Red and Green, each with 820 ohm current-limiting resistor.  
Operating current range: 4.5–14VDC. Observe polarity!  
Current draw: 3mA at 4.5VDC, 12mA at 12VDC, 15mA at 14VDC.

REFER TO THE INSTALLATION INSTRUCTIONS FOR THE CONTROL PANEL WITH WHICH THIS DEVICE IS USED, FOR DETAILS ON LIMITATIONS OF THE ENTIRE ALARM SYSTEM.

### ADEMCO LIMITED WARRANTY

Alarm Device Manufacturing Company, a Division of Pittway Corporation, and its divisions, subsidiaries and affiliates ("Seller"), 165 Eileen Way, Syosset, New York 11791, warrants its products to be in conformance with its own plans and specifications and to be free from defects in materials and workmanship under normal use and service for 18 months from the date stamp control on the product or, for products not having an Ademco date stamp, for 12 months from date of original purchase unless the installation instructions or catalog sets forth a shorter period, in which case the shorter period shall apply. Seller's obligation shall be limited to repairing or replacing, at its option, free of charge for materials or labor, any product which is proved not in compliance with Seller's specifications or proves defective in materials or workmanship under normal use and service. Seller shall have no obligation under this Limited Warranty or otherwise if the product is altered or improperly repaired or serviced by anyone other than Ademco factory service. For warranty service, return product transportation prepaid, to Ademco Factory Service, 165 Eileen Way, Syosset, New York 11791.

THERE ARE NO WARRANTIES, EXPRESS OR IMPLIED, OF MERCHANTABILITY, OR FITNESS FOR A PARTICULAR PURPOSE OR OTHERWISE, WHICH EXTEND BEYOND THE DESCRIPTION ON THE FACE HEREOF. IN NO CASE SHALL SELLER BE LIABLE TO ANYONE FOR ANY CONSEQUENTIAL OR INCIDENTAL DAMAGES FOR BREACH OF THIS OR ANY OTHER WARRANTY, EXPRESS OR IMPLIED, OR UPON ANY OTHER BASIS OF LIABILITY WHATSOEVER, EVEN IF THE LOSS OR DAMAGE IS CAUSED BY THE SELLER'S OWN NEGLIGENCE OR FAULT.

Seller does not represent that the products it sells may not be compromised or circumvented; that the products will prevent any personal injury or property loss by burglary, robbery, fire or otherwise; or that the products will in all cases provide adequate warning or protection. Customer understands that a properly installed and maintained alarm may only reduce the risk of a burglary, robbery, fire or other events occurring without providing an alarm, but it is not insurance or a guarantee that such will not occur or that there will be no personal injury or property loss as a result. CONSEQUENTLY, SELLER SHALL HAVE NO LIABILITY FOR ANY PERSONAL INJURY, PROPERTY DAMAGE OR OTHER LOSS BASED ON A CLAIM THE PRODUCT FAILED TO GIVE WARNING. HOWEVER, IF SELLER IS HELD LIABLE, WHETHER DIRECTLY OR INDIRECTLY, FOR ANY LOSS OR DAMAGE ARISING UNDER THIS LIMITED WARRANTY OR OTHERWISE, REGARDLESS OF CAUSE OR ORIGIN, SELLER'S MAXIMUM LIABILITY SHALL NOT IN ANY CASE EXCEED THE PURCHASE PRICE OF THE PRODUCT, WHICH SHALL BE THE COMPLETE AND EXCLUSIVE REMEDY AGAINST SELLER. This warranty replaces any previous warranties and is the only warranty made by Seller on this product. No increase or alteration, written or verbal, of the obligations of this Limited Warranty is authorized.

