



MS-9050UD Intelligent Addressable Fire Alarm System

Ideal for small facilities

Sophisticated Performance at the Cost of Conventional Systems

The MS-9050UD Fire Alarm System offers state-of-the-art technology with easy installation, operation, and maintenance. Suited for stand-alone applications, the MS-9050UD is ideal for smaller facilities such as apartment complexes, banks, cinemas, child care and elementary schools, department stores, food stores, places of worship, restaurants, small retail outlet stores, and other facilities requiring performance-based, sophisticated technology at reasonable cost. With capabilities such as remote upload/download programming and diagnostics, addressable point identification, drift compensation, built-in digital communication, and NAC synchronization, the MS-9050UD delivers features typically found only in more expensive, larger systems.

High Performance with Remarkable Flexibility

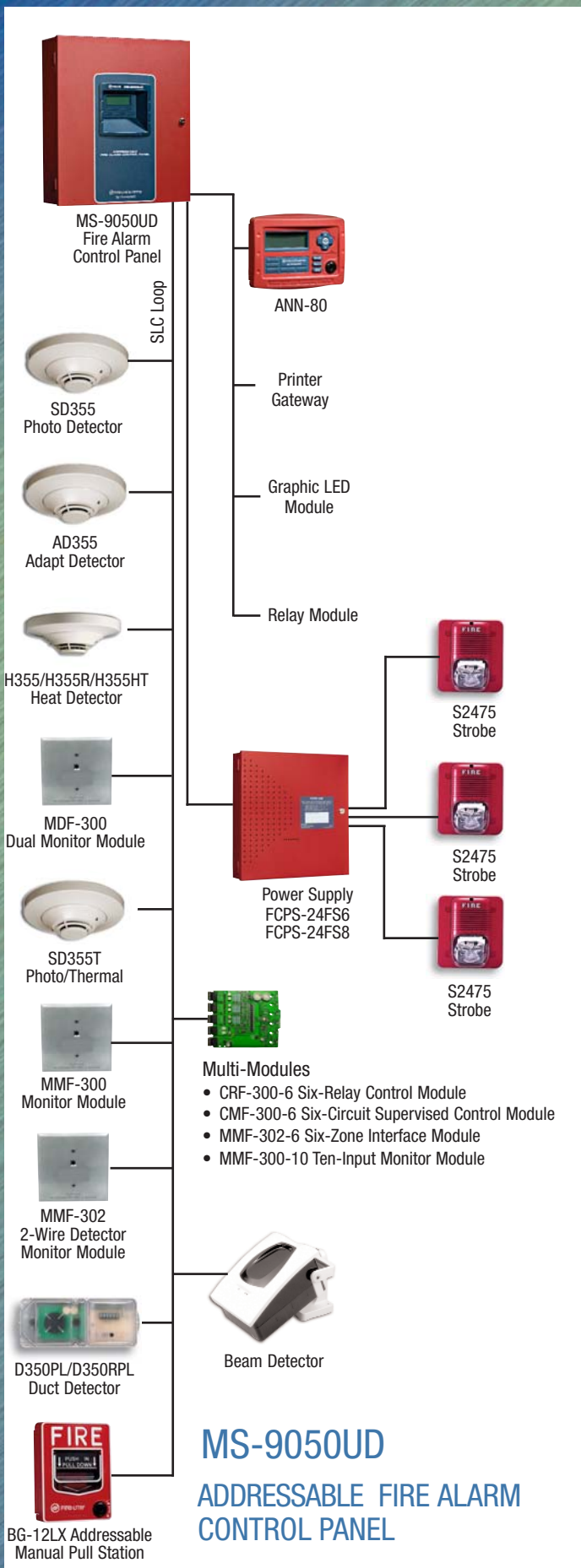
The panel supports a wide range of addressable sensors, control outputs, and notification devices capable of meeting the most challenging design specifications. With support for up to 50 addressable points of any type on a single SLC loop, the MS-9050UD provides advanced addressable features at a price that competes with conventional systems. With an integrated Digital Alarm Communicator Transmitter (DACT) for off-premises monitoring and remote Upload/Download programming support, the MS-9050UD is a compact Fire Alarm Control Panel that provides large system technology with remarkable flexibility.

Valuable, Time-Saving Innovations

The MS-9050UD's auto-programming feature allows the system to quickly identify and configure detector and module types establishing fire protection for an entire facility within seconds and permitting immediate building occupancy.

Additional control-by-event programming can be accomplished through the on-board keypad or Windows®-based programming PK-CD software, permitting direct mapping of detectors to outputs without need for additional wiring and installation labor. The easy-to-use software allows users to upload/download complete panel programs, history files, and walk test data; obtain current status and system voltages - all through a direct connection at the panel or off-site through the built-in DACT modem. A PS2 keyboard connector has been integrated into the CPU, allowing most standard computer keyboards to plug in directly for easier keystrokes, simplified programming navigation and text editing.

The MS-9050UD has built-in NAC synchronization protocol for Wheelock®, Gentex®, System Sensor®, Federal Signal® and AMSECO® devices that removes the need for additional wiring, hardware, and synchronization



modules, and, is especially beneficial when retrofitting existing devices. The new annunciator bus provides connection for a total of 8 remote devices such as 80-character LCD annunciators for remote display of system status and control of drill, acknowledge and silence functions as well as remote printers, relays and graphic annunciators.

The MS-9050UD is designed and built by Fire-Lite Alarms, well known in the industry for high quality and exceptional design. To learn more about the MS-9050UD or other quality Fire-Lite products, call (203) 484-7161 and ask for the distributor nearest you or visit us at www.firelite.com.

Compatible Applications

- Smaller facilities including:
 - Apartment Complexes
 - Banks
 - Cinemas
 - Department Stores
 - Food Stores
 - Places of Worship
 - Restaurants
 - Strip Malls
 - Small Retail Outlet Stores
- Buildings less than 75 feet in height:
 - Dormitories
 - Small Motels
 - Extended Stay Facilities
- Commercial buildings including:
 - Light Manufacturing
 - Stand Alone Warehouse
 - Telecommunication Systems
 - Smaller Corporate Headquarters
 - Municipal facilities such as Court Houses or Police Stations
- Healthcare including:
 - Smaller Hospitals and Clinics
 - Nursing Homes
 - Retirement or Assisted Living Facilities

Sold and Serviced by:

