

## VISTA-128FB/V128FB-24

COMMERCIAL FIRE AND  
PARTITIONED ALARM PLATFORM



Designed to integrate seamlessly with CCTV, access control and Honeywell's full range of fire and burglary components, the VISTA-128FB provides the ultimate protection of life and property. The UL listed Commercial Fire and Burglary Control Platform controls up to eight partitions and supports up to 128 zones/points using hardwired, wireless and addressable V-Plex technologies.

A diverse line of Honeywell initiating devices, notification circuits, digital dialers, keypads, RF receivers and relays support this extremely powerful control platform.

The VISTA-128FB has been designed to mount quickly and easily in an attack resistant cabinet and is available in 12V and 24V models.

## FEATURES

- Supports addressable V-Plex access control points using VistaKey (1 to 8 doors)
- Supports up to 15 doors of access control using Vista Gateway Module (VGM)\*
- Supports CCTV applications with the new VistaView-100 CCTV switcher module
- Identifies the point or zone of a fire or alarm, using the new FSA-8/ FSA-24 Fire system annunciator
- Stores up to 512 events and can accommodate 150 user codes
- New E2 software simplifies programming
- Easily programmed and maintained with newly upgraded Compass Downloader software
- Eight hardwired zones standard, expandable to 120 V-Plex addressable points/zones or 128 wireless points/zones
- Can control eight separate areas independently (8 partitions)
- Two on-board notification (bell) circuits delivering 2.3A @ 12V or 3.4 amp @ 24V
- Automatic smoke detector sensitivity maintenance testing

\* Connects to Honeywell's Passpoint Access Control Systems. Maximum 32 doors.

# VISTA-128FB/V128FB-24

## COMMERCIAL FIRE AND PARTITIONED ALARM PLATFORM

### SPECIFICATIONS:

- **Cabinet dimensions**

- 18"H X 14.5"W X 4.3"D

- **Environmental**

- Storage temp: -14°F to 158°F (-10°C to 70°C)
- Operating temp: -32°F to 122°F (0°C to 50°C)
- Humidity: 85% RH

- **EMI**

Meets or exceeds the following requirements:

- FCC Part 15, Class B Device
- FCC Part 68
- IEC EMC Directive

- **Agency Listings**

- **Burglary**

- UL609 Grade A Local Mercantile Premises and
- Mercantile Safe and Vault
- UL611/1610 Grades A, AA, Central Station
- UL365 Grades A, AA Police Connect

- **Fire**

- UL864 FPA72 Local, Central Station and Remote Station
- Factory Mutual
- California State Fire Marshal
- MEA
- UL985

- **Additional Features**

- Notification Appliance Circuits (two)
  - Programmable
  - Temporal code compliant
  - Individually silenceable
- Programmable on-board auxiliary relay
  - SIA false alarm reduction features:
    - Exit Error Logic
    - Exit Delay Reset
    - Cross Zoning
    - Call Waiting Defeat
    - Recent Close Report

- Supports commercial hardwired, addressable V-Plex polling loop and wireless zones

- **Hardwired zones:**

- Provides nine style B hardwired zones
- EOLR supervised for Fire and UL burglary installations
- Supports N.O or N.C. sensors
- Individually assignable to one or all eight partitions
- Up to 16 two-wire smoke detectors each zone 1 and 2 (32 total)
- Up to 50 two-wire glass break detectors on zone eight

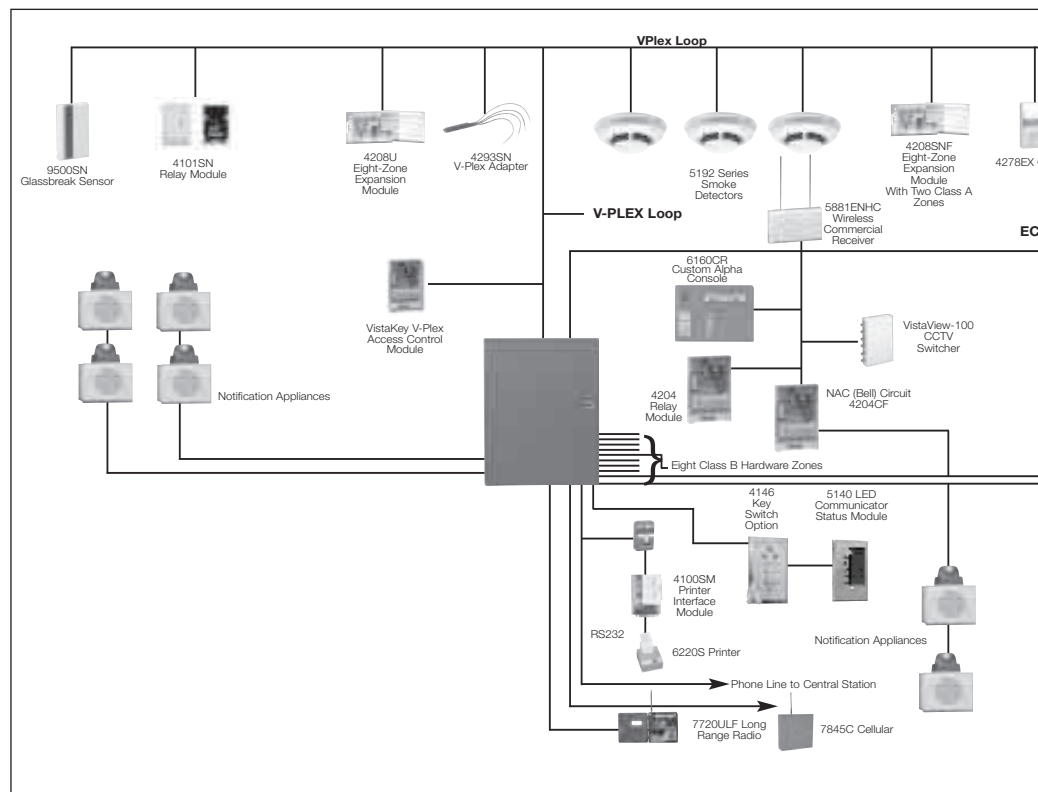
- **Patented addressable V-Plex polling loop V-Plex technology:**

- Supports up to 120 two-wire zones/points
- Global polling technology for faster processing

- Increased current draw capacity (128mA)
- Supervised by panel
- Individually assignable to partitions, notification circuit (bell) output or aux relay
- 4,000 ft capability without the use of shielded cable
- Extender/Isolation bus module
- Two-wire smoke detector zone/group expansion module adds two or four zones
- Eight zone - Class A and B Extender Module
- One zone supervised Contact Monitor Module

- **UL Listed wireless expansion**

- Supports up to 128 wireless zones using 5881 Receiver
- Supervised by control for check-in signals



## VISTA-128FB/V128FB-24

### COMMERCIAL FIRE AND PARTITIONED ALARM PLATFORM

#### SPECIFICATIONS:

- Tamper protection for transmitter
- Individually assignable up to eight partitions
- Supports UL864 FPA approved wireless smoke detectors
- Access control integration
  - Full integration with PassPoint
  - Access Control System Complete Gateway in access functions
- Event reporting
- Local printer of access or VISTA related event
- Scheduled uploading of events to central station
- Stored events for one call retrieval
- Communication
  - Phone mapping by zone response type
  - Supports VIP Interactive Phone

- Voice Module
- Panel operation during download
- Uploading equipment list to central station
- Communication to PassPoint via Vista Gateway Module (VGM)

#### • Applications

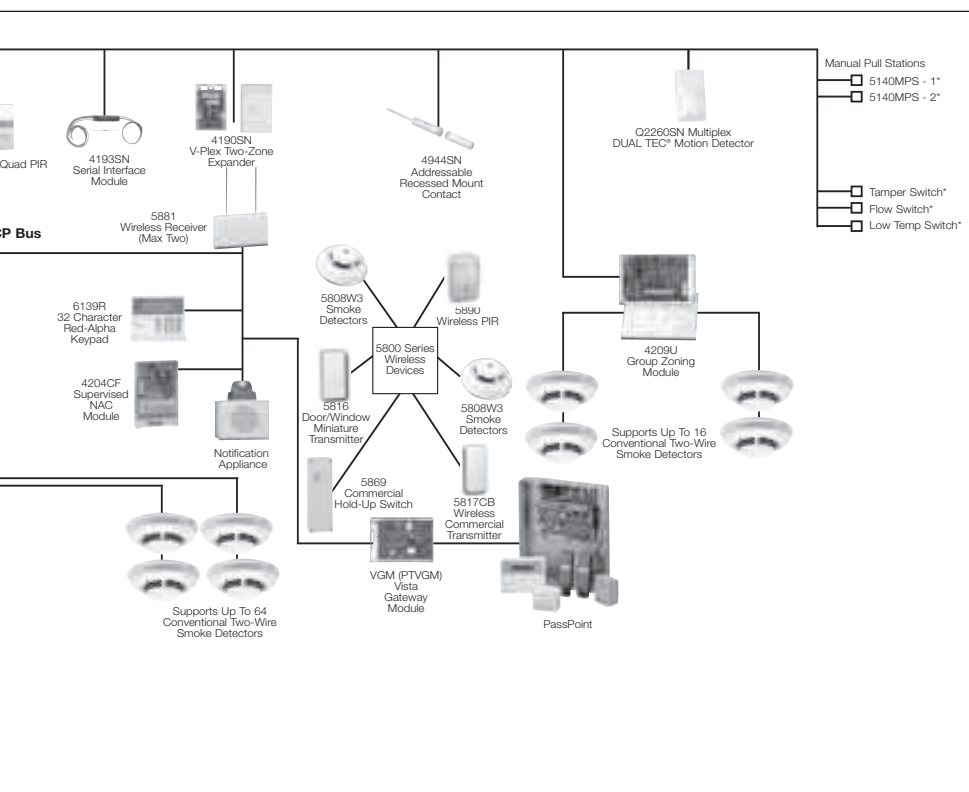
Supported by a diverse line of Honeywell initiating devices, the powerful VISTA-128FB is the ideal integrated fire and burglary control for applications where a higher level of security is necessary including medical and professional buildings, supermarkets, churches and synagogues, office buildings, schools, universities, strip malls, larger residences and factory or warehouse environments.

#### • Installation

The VISTA-128FB alarm system has been designed to mount both quickly and easily in an attack resistant cabinet. It meets all applicable requirements for UL commercial burglary installations.

#### • Electrical:

- Primary power:
  - 18 VAC@ 72 VA No. 1450
  - Quiescent current draw:
    - 350mA
- Backup battery
  - 12VDC, 12AH min to 34AAH max
  - Lead acid battery (gel type)
- Alarm power
  - 12VDC, 1.7A max for each notification (bell) circuit output
- Aux. standby power
  - 12VDC, 1A max
- Total power
  - 2.3A at 12VDC, 3.4A at 24VDC from all sources
- Standby time
  - 24 hours with 1A standby load or 60 hours with 205mA max standby load using 34AAH battery
- Fusing
  - Battery input, aux. and notification (bell) circuit outputs are protected using PTC circuit protectors. All outputs are power limited.
- Main dialer
  - Line seize:
  - Double Pole



#### • Ringer equiv.

- 0.713

#### • Formats

- ADEMCO Low Speed, ADEMCO 4+2 Express, ADEMCO High Speed, ADEMCO Contact ID, Sescoa and Radionics

# VISTA-128FB/V128FB-24

## COMMERCIAL FIRE AND PARTITIONED ALARM PLATFORM

### SPECIFICATIONS:

---

- **Auxiliary devices**

- 6160CR Alpha Keypad Commercial Fire
- 6139R - Red Alpha Keypad/Annunciator
- FSA-8 & FSA-24 Fire System Annunciator
- 4204 - Relay Module, four form C contacts
- 4204CF - Two supervised output circuits
- 6220S - System printer used with 4100SM Serial Interface Module
- 5140DLM, FSA-8, FSA-24, FSAKSM Fire Annunciator

- **Two-wire and four-wire smoke detectors conventional**

- System Sensor smoke detectors

- **Horn/Strobes**

- System Sensor notification appliances

- **Manual pull stations**

- 5140MPS-1
- 5140MPS-2

- **V-Plex (addressable) devices**

- 4101SN Single Relay/Zone Module
- 4190SN Remote Point Module - two zones
- 4190WH Two Point Multiplex RPM
- 4193SN Two Zone Serial Interface Module
- 4208U Loop Expansion Module - eight zones
- 4208SNF Class A/13 Expander Module

- 4209U Group Zoning Module - two/four zones
- 4293SN One Zone Serial Interface Module
- 4297 Isolation/Extender Module

- **V-Plex (addressable) smoke detectors**

- 5192SD
- 5192SDT

- **Passive infrared detectors**

- 998MX
- 4275EX-SN
- 4278EX-SN
- Quest 2260SN

- **V-Plex (addressable) contacts**

- 4939SN-WH
- 4944SN-WH
- 4959SN

- **Glassbreak detectors**

- 9500SN

- **VISTA Interactive Phone Module**

- 4286 Voice Module

- **Optional 24V power supply**

- PS24 - 24V power supply - 3.4A

- **Long range radio**

- Long range radio 7720ULF-XX, 7845C, 7835CFPK

- **Upgraded software**

- Upgraded Compass Downloader Windows compatible

- **Wireless devices**

- 5804 - Wireless Key
- 5804BD - Bi-Directional Key
- 5804BDV - Bi-Directional with voice
- 5816 - Door/Window Transmitter
- 5819 - Shock Sensor
- 5827BD - Bi-Directional Keypad
- 5849 - Glassbreak Detector
- 5881 Series - RF Receiver supporting 5800 wireless detectors
- 5890 - PIR

- **Access control**

- VistaKey V-Plex (addressable) Access Control
- VistaKey-SK Starter Kit
- VistaKey-EX Expansion Kit
- VGM Vista Gateway Module to PassPoint Access Control (Honeywell Access Systems)

- **CCTV**

- VistaView-100-CCTV Switch Module

- **Commercial wireless devices**

- 5869 - Hold up Transmitter
- 5817CB - Wireless Commercial Transmitter
- 5881ENHC - Commercial Fire/Burg Receiver
- 5808W3 - Wireless Smoke Detector
- 5809 - Wireless Heat Detector

## ORDERING

<b>VISTA-128FB</b>	Commercial Fire and Partitioned Burglary Alarm Platform 12V Model
<b>V128FB-24</b>	Commercial Fire and Partitioned Burglary Alarm Platform 24V Model

### Honeywell Security & Custom Electronics

Honeywell  
2 Corporate Center Dr. Suite 100  
P.O. Box 9040  
Melville, NY 11747  
www.honeywell.com

# Honeywell